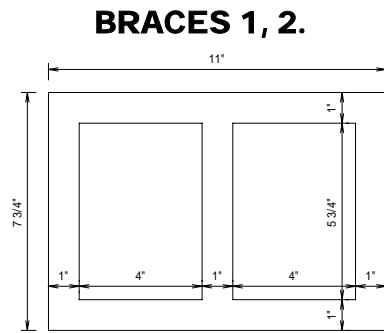
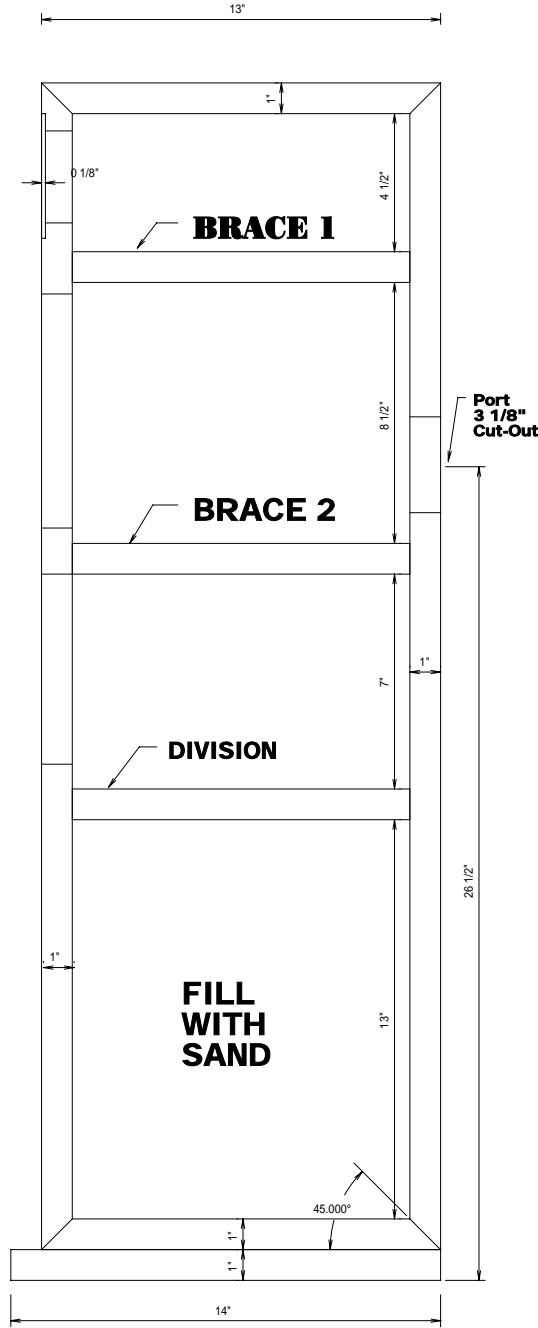
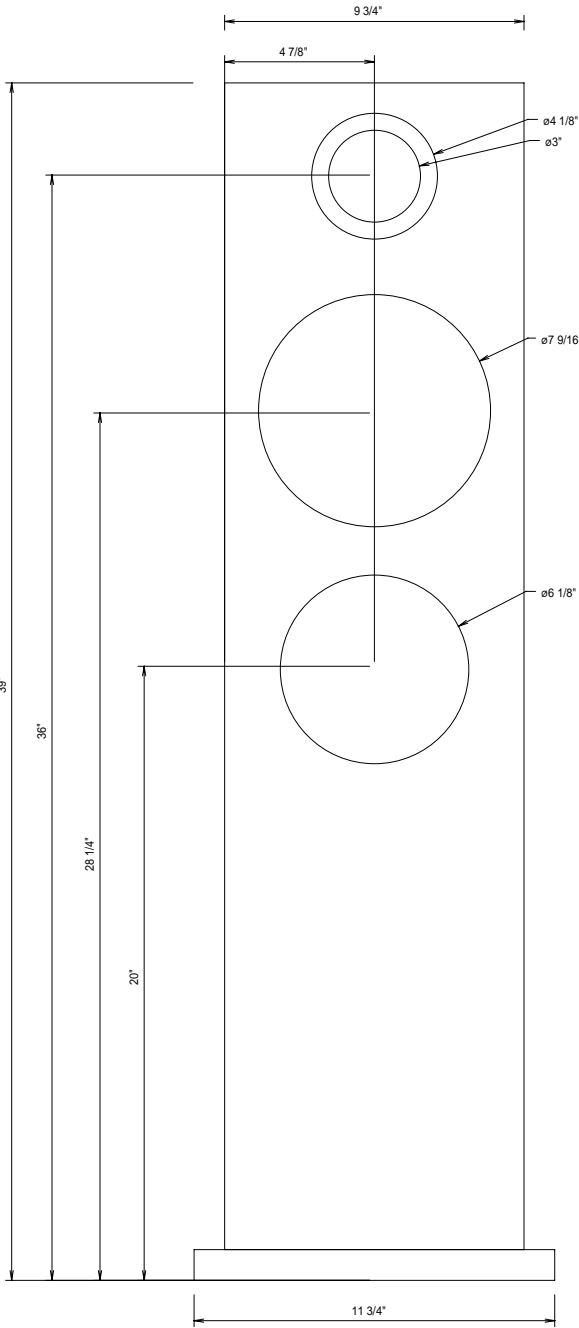


VOLT HSM mk2fs



Wood Thickness = 1"
Internal Volume = 1.1cuft