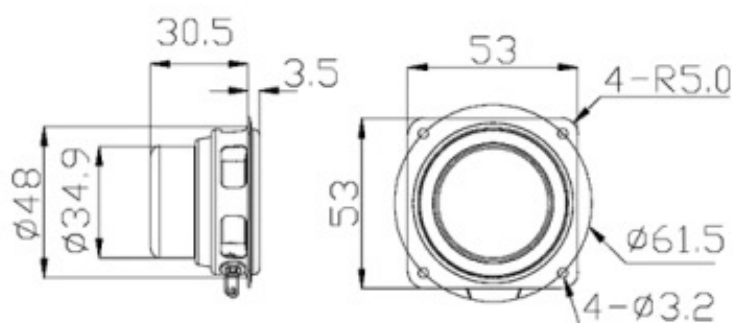


# A2S



A2S	
Nominal Impedance (Z)(Ω) :	8
Resonance Frequency (Fs)(Hz) :	153
Nominal Power Handling (Pnom)(W) :	10
Sensitivity (2.83v/1m)(dB) :	78
Weight (M)(Kg) :	0.12
VC Diameter (mm) :	25 CCAW
DC (Re)(Ω) :	6.5
VC Length (H)(mm) :	6
VC Former :	Kapton
VC Layers :	2
Magnet System :	Shielded Neodymium
Force Factor (BL)(TM) :	2.5
Gap Height (He)(mm) :	3.0
Linear Excursion (Xmax)(mm) :	1.5
Suspension Compliance (Cms) (uMN) :	707
Mechanical Q (Qms) :	7.33
Electrical Q (Qes) :	1.53
Total Q (Qts) :	1.27
Moving Mass (Mms)(g) :	1.5
Effective Piston Area (Sd)(m <sup>2</sup> ) :	0.0013
Equivalent Air Volume (Vas)(L) :	0.2
Sealed Box :	Vb=0.2L
:	F-3=150Hz

